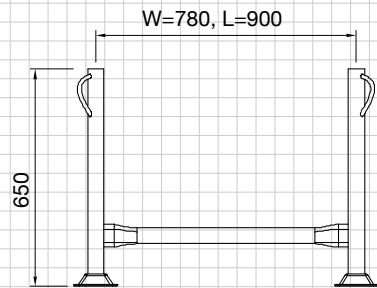


▲ TRANSPORT, LOGISTICS AND STORAGE

POST STILLAGE

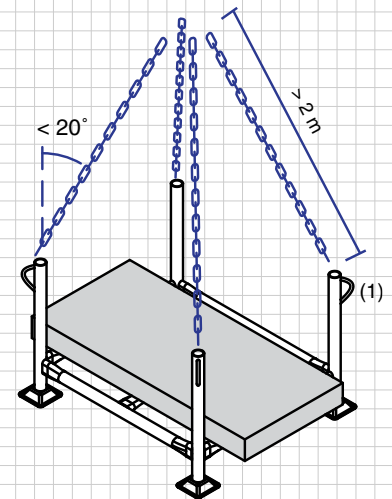
ART NO 981120. Max load 800 kg.



The logistics at a construction site can be a constraint, and therefore edge protection must be available at site when and where needed. The products are delivered in stackable pallets that minimize the need of space. The stackable Stillages can be lifted with forklift or straps.

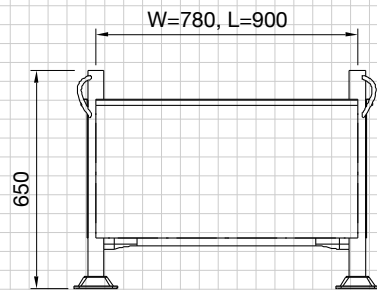
Lifting

Use a four-party chain with safety hook or equivalent. The load should be properly fastened before lifting. Please make sure to follow your local regulations and lifting instructions.



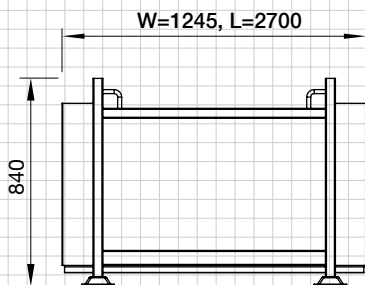
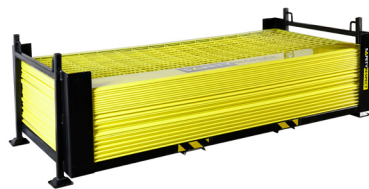
BOX STILLAGE

ART NO 981130. Max load 800 kg.



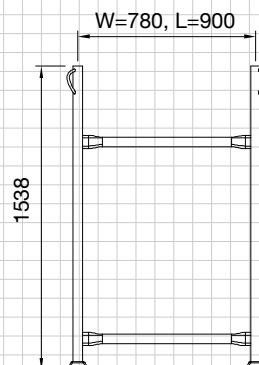
BARRIER STILLAGE 2,6 L

ART NO 981109. Max load 800 kg.



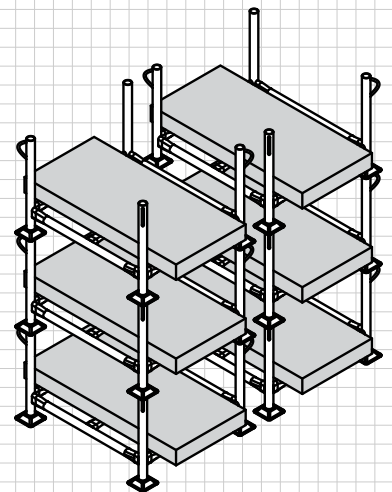
BARRIER STILLAGE VERTICAL

ART NO 981111. Max load 800 kg.



Storage

Stackable Stillages.



We reserve the right to make technical changes.